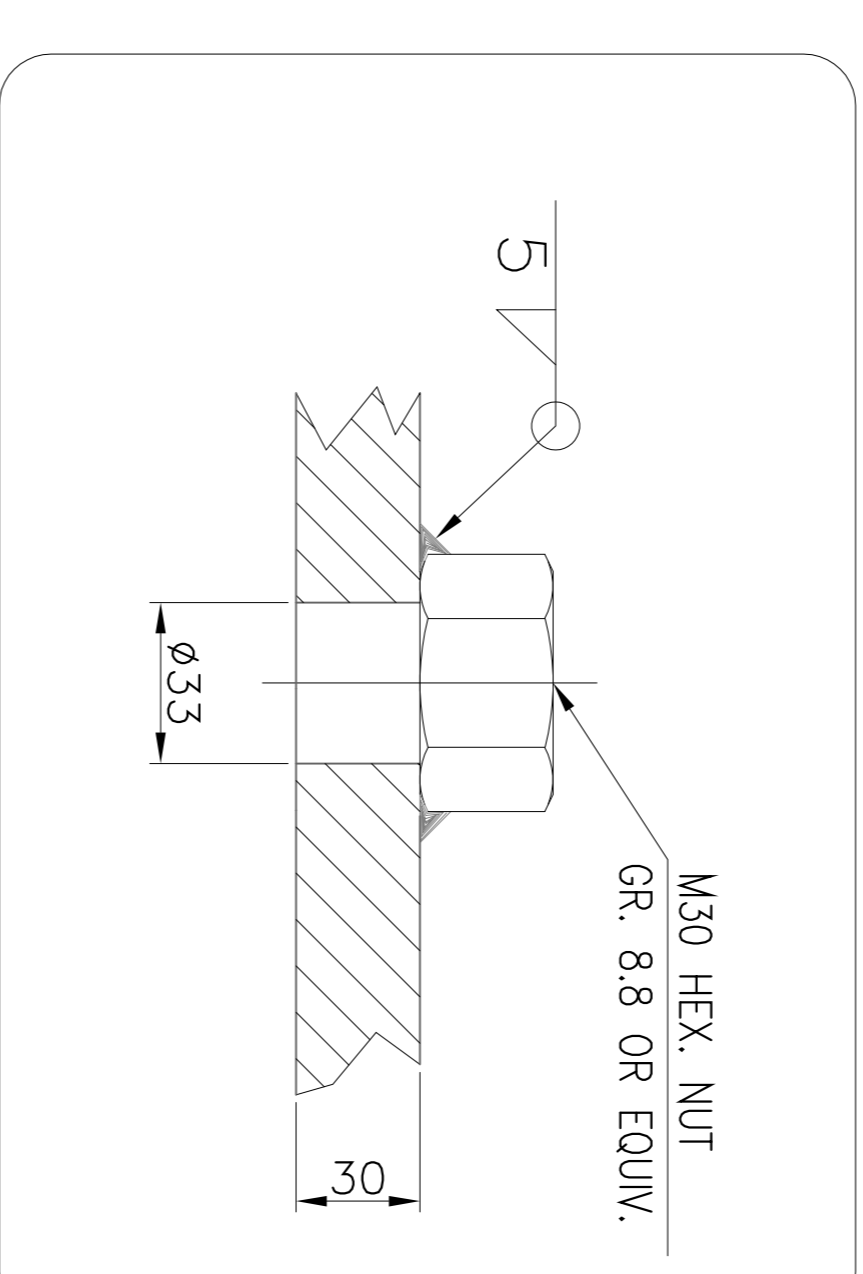
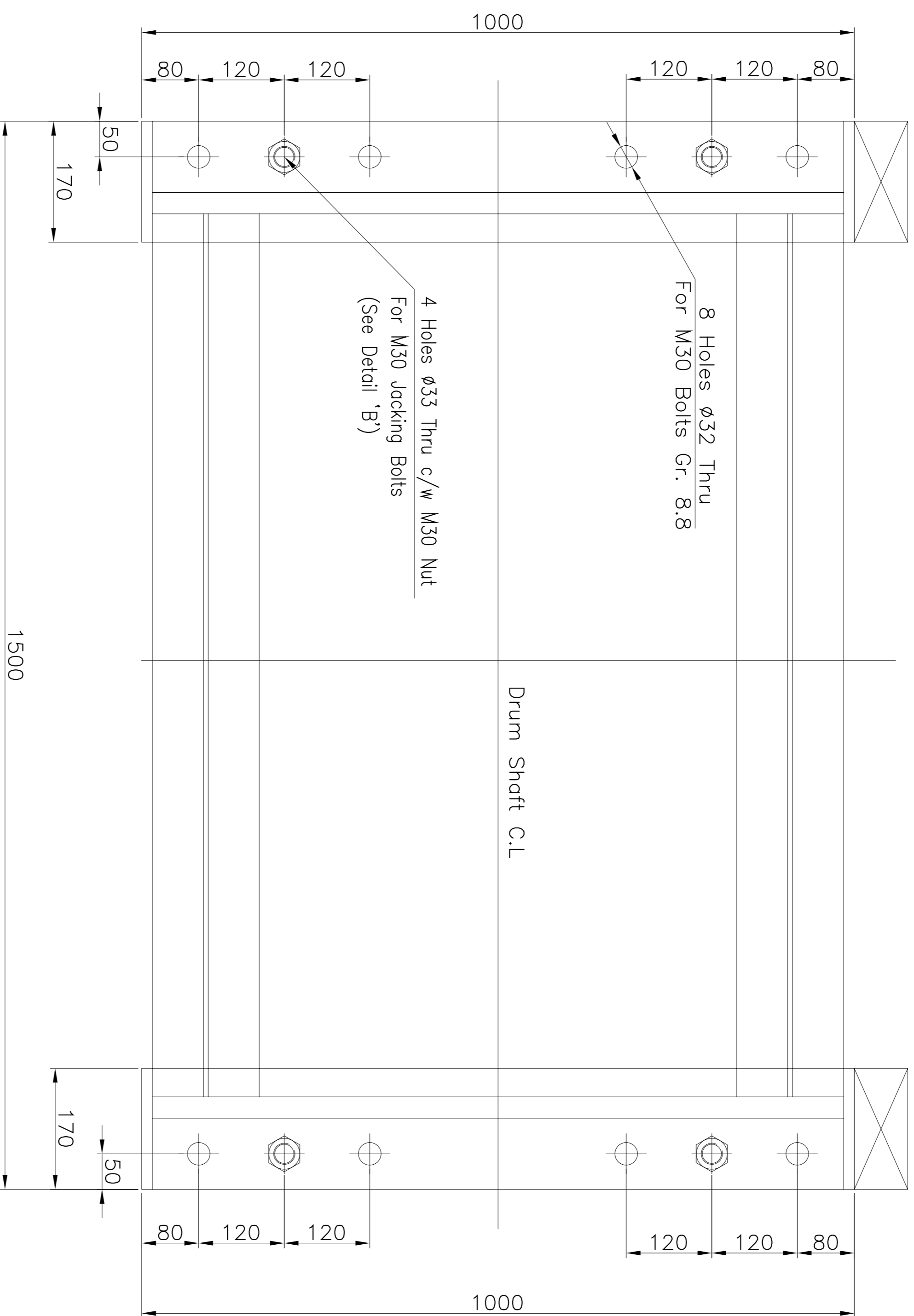


REV	DESCRIPTION	DATE	INIT.



DETAIL 'B'

VIEW 'A-A'

NOTES:-

1. ALL BOLT HOLES ON SHIPSEATING TO BE DRILLED ON SITE UPON WINCH IN POSITION.
2. ALL BASE PLATES THICKNESS ARE 30mm.
3. WINCH TO BE SECURED ONTO SHIPSEATING BY DOUBLE LOCK NUT [PROVIDED BY OTHERS].
4. SHIPSEATING PROVIDED BY OTHERS.

NOTES:



<small>HYDAC INTERNATIONAL: THE COMPANY'S TRADE MARK IS THE TRADE MARK OF HYDAC INTERNATIONAL. ALL RIGHTS RESERVED. THE COMPANY'S TRADE MARK IS THE TRADE MARK OF HYDAC INTERNATIONAL. ALL RIGHTS RESERVED. THE COMPANY'S TRADE MARK IS THE TRADE MARK OF HYDAC INTERNATIONAL. ALL RIGHTS RESERVED.</small>			
TITLE	SCALE	PROJID	MASS (kg)
CRADLE DOWN HANDLING WINCH GENERAL ARRANGEMENT MODEL: CDHW-SD-20-25	N.T.S.		N/A
DRAWN	DATE	APPROVED	
AV	26-01-18	JH	

BASIC HYDRAULICS
PROVISIONAL

PROJECT	DOCUMENT	SHEET	REV.
J4344/17	4344 GEN 06-00000	A1	B